

## Masons Concrete Mixer

MBCM

Code

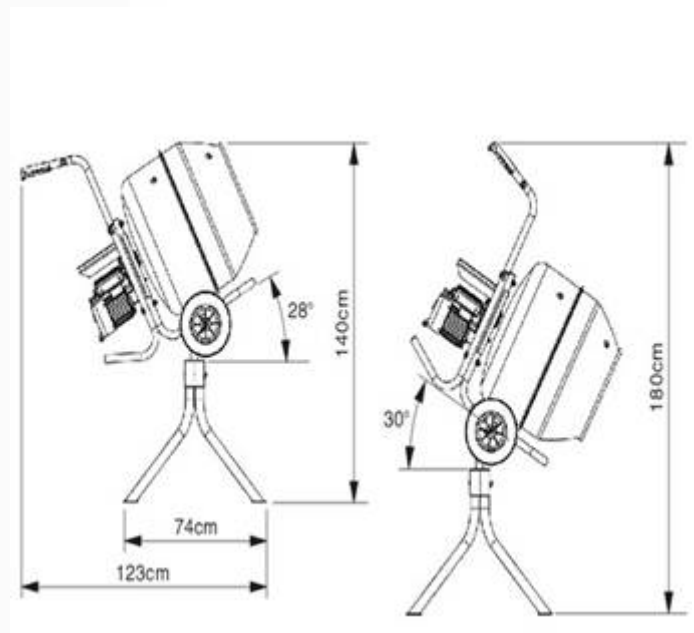
MASONS Concrete mixer is designed for the builder or tradesman requiring a reliable machine to work with and to mix all types of construction materials in complete confidence. The Mixer can be assembled very easily and quickly and can be taken off the stand for transporting.

### FEATURES

- Wheelbarrow type mixer comes with stand
- Pour directly into trench
- Electric

### TECHNICAL DETAILS

- Heavy Duty bowl with a capacity of 140 liters
- Bowl diameter is 590mm
- Direct drive motor turns at 23 RPM  
Motor (HP): 0.5
- Total weight 75kg
- Wheel Size 250mm x 75mm



MASONS PLASTABRICK

MASONS PLASTABRICK LIMITED

0800 522 533 [WWW.MPB.CO.NZ](http://WWW.MPB.CO.NZ)

(09) 414 7551 FAX (09) 414 7553 9B PARKHEAD PLACE, ALBANY 0752, AUCKLAND