

Application

Masons Barricade Tape is a modified bituminous tape that has been tested and passed by BRANZ AC148 as required by NZBC Acceptable Solution E2/AS1, paragraph 4.3.11, and designed to be used for:

- 💧 To seal around windows, doors, and other joinery openings as a secondary defence against water penetration
- 💧 For timber and steel framed buildings
- 💧 For a risk score between 0-20 in accordance with NZBC Acceptable Solution E2/AS1
- 💧 In NZS3604 Building Wind Zones up to and including 'Very High'.



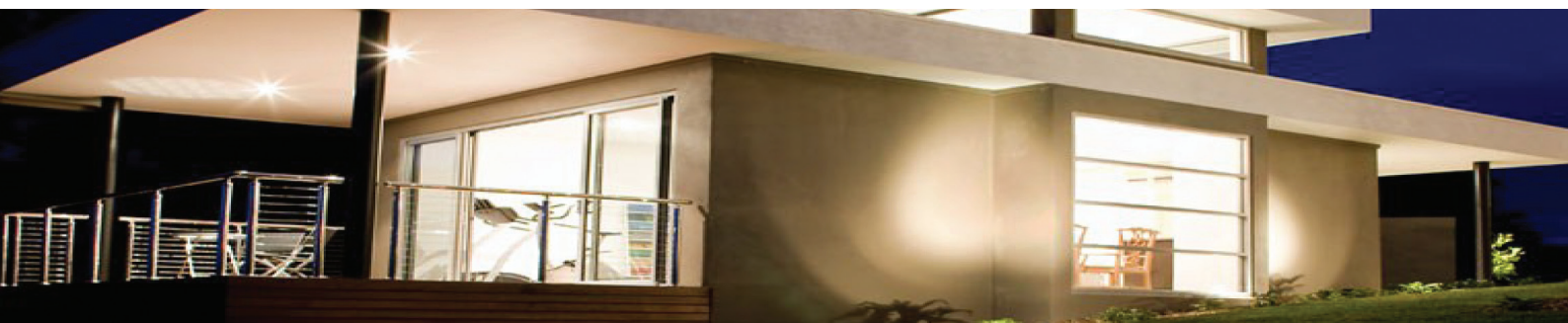
Features & Benefits

- 💧 Simple 4 step installation, save time reducing costs
- 💧 .9mm thick adhesive layer
- 💧 Reliable and dependable weather tightness
- 💧 Low temperature adhesion
- 💧 Can be applied as low as 5° C



BRANZ Appraised
Appraisal No. 716 [2010]

CODE	DESCRIPTION	ROLL SIZE
MBWT50	Barricade Window Tape Self adhesive	50mm x 30m
MBWT150	Barricade Window Tape Self adhesive	150mm x 30m
MBWT200	Barricade Window Tape Self adhesive	200mm x 30m
MBWT50x10	Barricade Window Tape Self adhesive	50mm x 10m
MBWT150x10	Barricade Window Tape Self adhesive	150mm x 10m

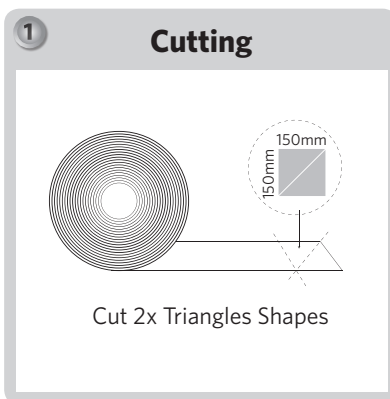


Windows / Doors / Timber & Steel Frame Flashing

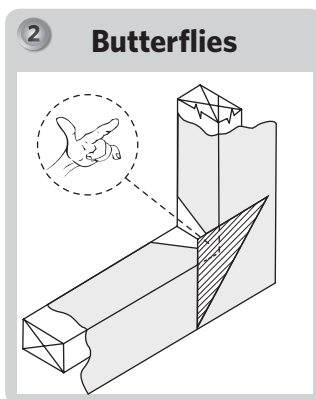
- Masons Barricade Tape must be installed in accordance with these instructions. Ensure the Barricade Tape completely covers the joinery opening.
- The building wrap is installed as shown to the exterior face of the framing. At window and door openings it is cut on a 45° angle away from each corner, then the flaps are folded into the opening and secured.

- To ensure maximum adhesion, ensure the substrate surface is clean, dry and free from any dust or other contaminants. For maximum adhesion, use Masons barricade tak spray adhesive.
- Barricade Tape must not be stretched. When joining 2 sections of tape, overlap by 100mm or more.

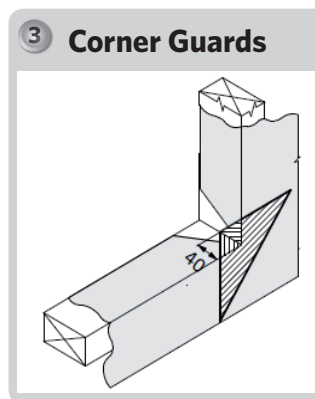
Window Sill Installation



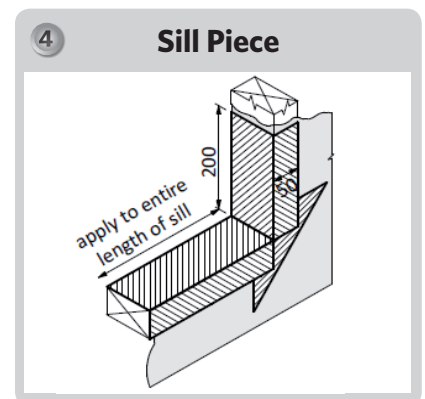
Corner Guards: Cut a 150mm x 150mm square of Barricade tape. Cut into 2 triangle pieces for flashing the bottom section of the frame. Sill Piece : Cut one piece of Barricade tape to the length of the sill plus 400mm. (refer to a & b on Cutting diagram).



IMPORTANT: Press tape firmly into corner first then fold around onto face.

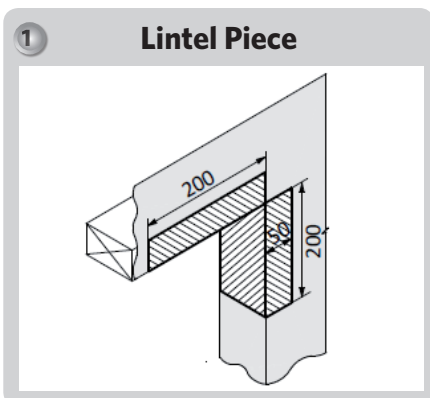


Fold remainder Barricade Tape against outer face of frame/building. Smooth creases. The corner guard is placed under the sill flashing.



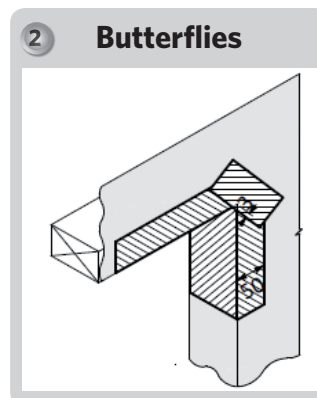
Install Sill piece flush with interior face of the opening. Apply along entire length of sill, continuing 200mm up each jamb. Slit overhanging tape at corner of opening, folding overhanging tape onto outer face of building.

Window Head Installation



Install Lintel pieces on top corners of opening, 200mm along the lintel and 200mm down the jamb.

Slit at each corner & fold onto outer face of building wrap (at least 50mm).



To create a seal at corner junction, Install butterflies at 45° across the corner of head/jamb.

Window Head Flashing Installation

Apply Masons Barricade Tape to top of window head flashing, upstand & building wrap. Refer to window & cladding detail for specific application.

Cutting Diagram

- a Corner Guards:** 150mm x 150mm square, then half into 2x triangles.
- b Sill Piece :** 1 x length of the sill plus 400mm.
- c Lintel Piece:** 2x 400mm long pieces.
- d Butterflies:** 2x 75mm x 150mm pieces.

