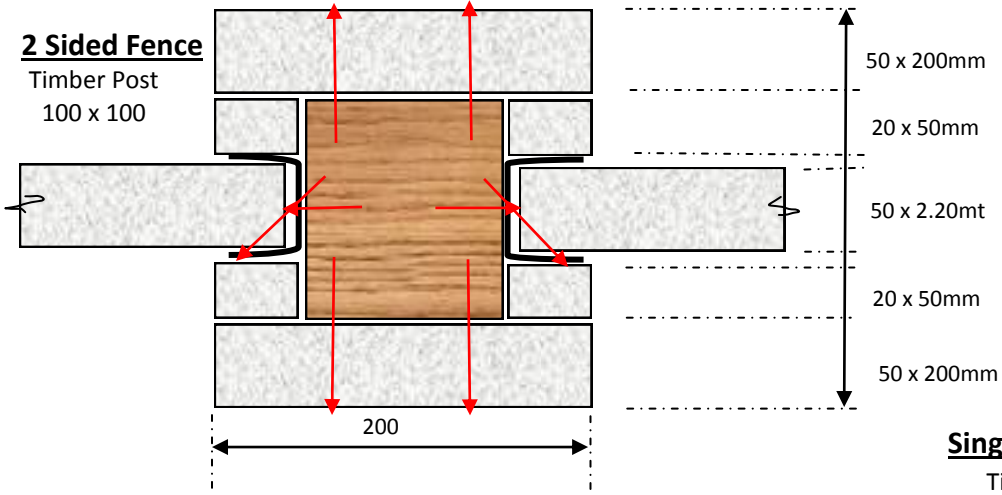


2 Sided Fence

Timber Post
100 x 100

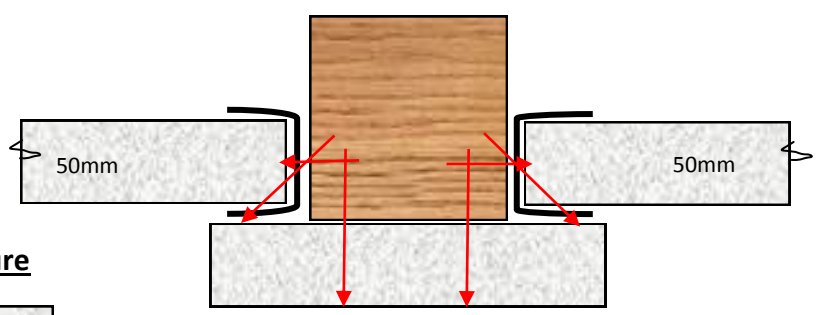


FENCE POST CONSTRUCTION

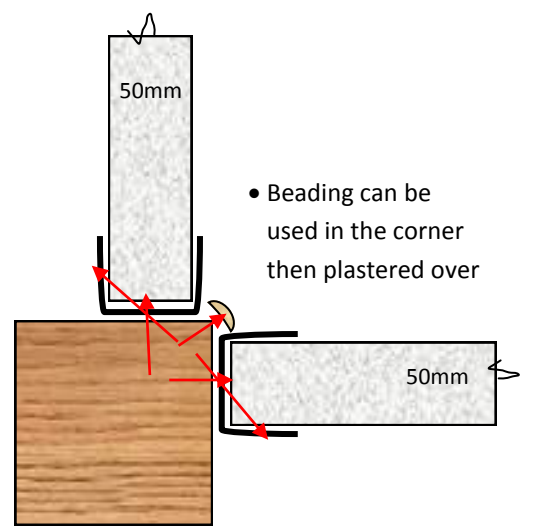
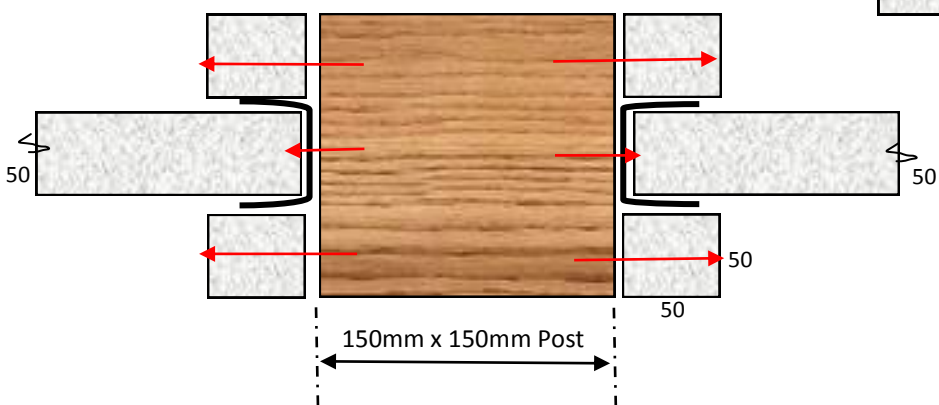
- Posts are set in a 50 x 600 deep footing
- Capping's can be made from Enviro Panel to fit any style.

Single Sided Fence

Timber Post
100 x 100

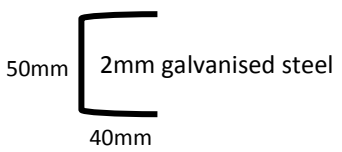


2 Sided Fence with Post as a Feature



- Beading can be used in the corner then plastered over

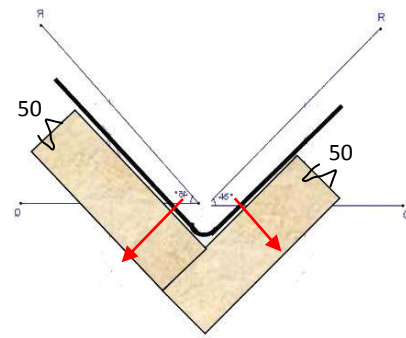
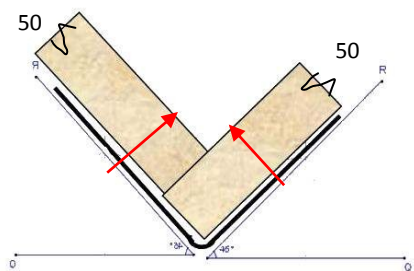
U Channel: 1.8m long



- Screws:**
- 75mm Bugle Head Screw
 - 50mm Bugle Head Screw
- Indicates screw placement

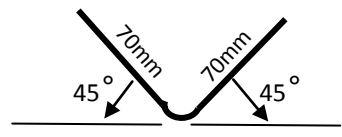
Metal Angle Posts — 45°

Panel Can be inside curve or Out



Single Sided Fence - 90° Angle

Timber Post
100 x 100



3mm galvanised steel

Angle Post: 2.4m Long

Allows for 600mm to be set into concrete footing





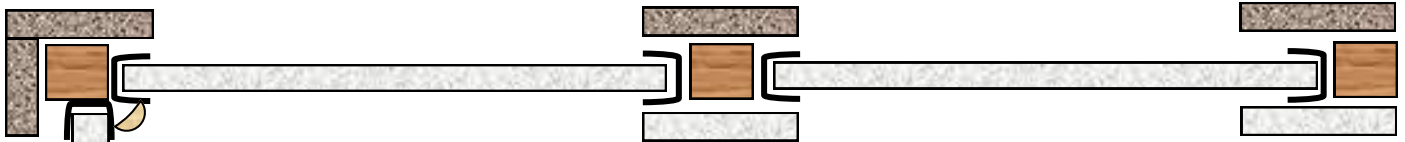
Enviro[®]

AAC Panel System

CLADDING | FLOORING | FENCING



Masons Plastabrick Ltd
PO Box 300 771, Albany, Auckland
Ph 09 414 7551 | Fax 09 414 7553
www.mpb.co.nz

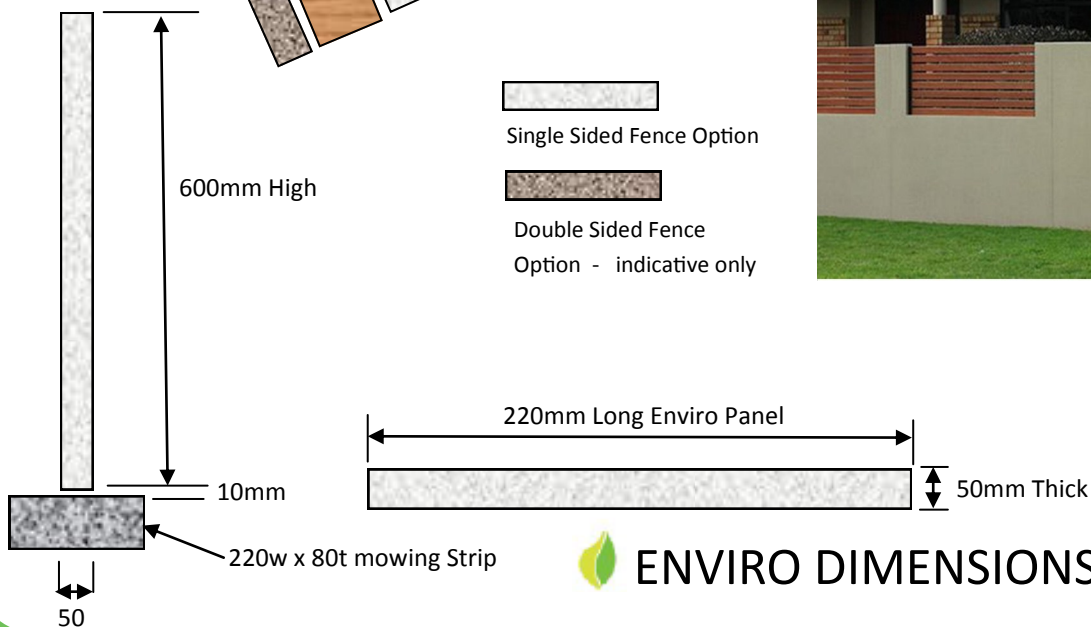
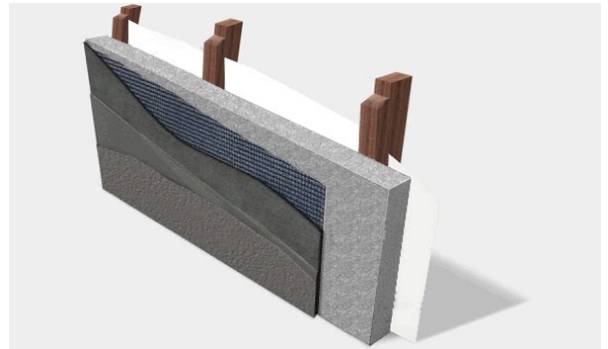


FENCE LAYOUT EXAMPLE

Enviro Glue
between Sheets

Masons Plastabrick
Enviro Render System

10mm gap &
museal to
bottom edge
of panel



ENVIRO DIMENSIONS